



Submittal Data

B-VFH24CA-1

Project Name:	
Location:	
Engineer:	
Submitted to:	
Submitted by:	
Reference:	

Approval:	
Date:	
Construction:	
Unit #:	
Drawing #:	

INDOOR UNIT DATA

Power Supply	Ph-V-Hz	1Ph,208/230V,60Hz
Cooling Capacity	Btu/h	22800
Heating Capacity	Btu/h	27400

Indoor Fan Motor

Model		FN35B-1
Input	W	100
RLA	A	0.43

Air Flow & Noise Level

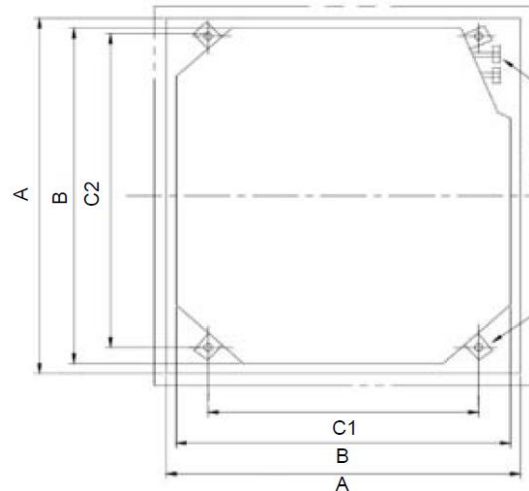
Indoor air flow	CFM	0/694/0/559/0/500/0
Indoor noise level (H/M/L)	Db(A)	/49/ /47/ /45/

Physical Data

Dimensions (W*D*H*)	inch	33.07x33.07x9.45
Packing (W*D*H*)	inch	//////
Net/Gross weight	lbs.	61.7/ 77.2

Accessories

84711	3 Pole mini-split disconnect switch
-------	-------------------------------------



Model Capacity	Ceiling Opening Dimensions	Unit Dimensions	Threaded Rod Dimensions
	A x A in(mm)	B x B in(mm)	C1 x C2 in(mm)
24K	35.0(890) x 35.0(890)	33.1(840) x 33.1(840)	26.8(680) x 30.7(780)

Requires Front Panel # C-VFH24CA-1